

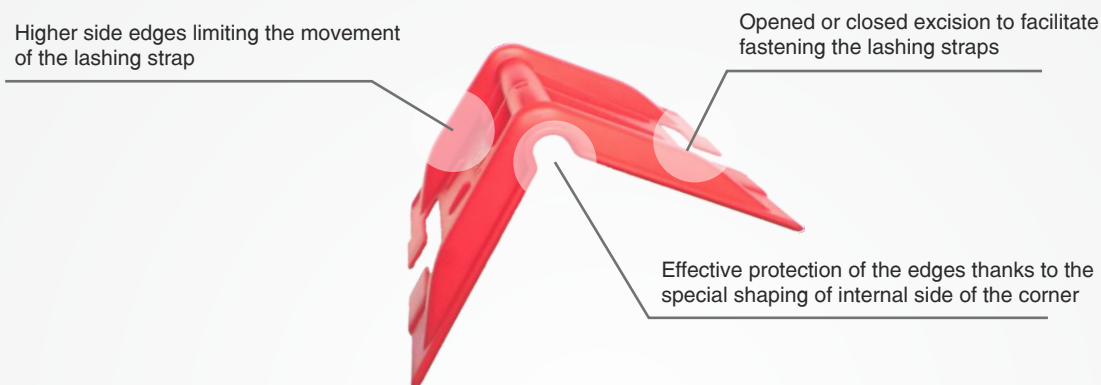
Dimensions [mm]: 132x100x100
Weight [g]: 65 (+/- 5%)
Color: red or black
Composition: 100% polypropylene
Packaging: 225 pieces per cardboard
Quantity per pallet: 24 cardboards = 5400 pieces
Loaded pallet weight [kg]: 370
Loaded pallet size [cm]: 120x80x180



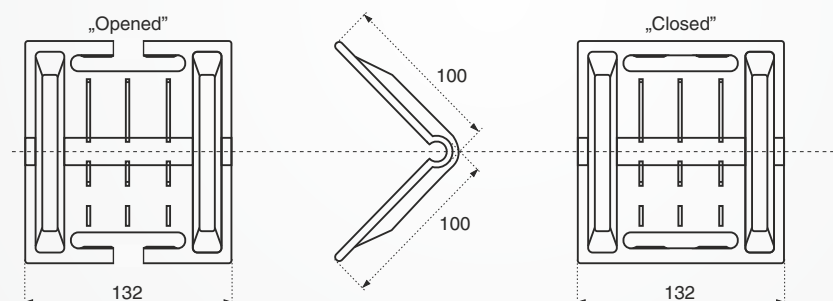
Application

To the protection the edges of various goods, to prevent against the crashes and different damages which can step out while fixing goods on the vehicle by the lashing straps. Also, to protection the lashing straps subject cutting during transportation various goods with sharp edges, i.e. steel sheets or plates.

Characteristics



Technical drawing - corner protector size 132 x 100 x 100 [mm]



Additional advantages

Strong and flexible construction
 Special excision to facilitate fastening the lashing straps
 Resistant on cracks and fractures in the wide range of temperatures: from - 20°C to +70°C

Environmental Protection

The substance is not biodegradable in the environment, user cannot allow the substance to escape to the environment. Recycling in 100% is possible, product can be reproduced back into the form of granulate and reused in the other production process. The end user is entirely responsible for deciding about the suitability of the product to the specified purposes. The end user is also responsible for the recycling or if necessary the utilization in proper manner.

Quality

The main role of the corner protector is spread and uniform the distribution of tension over the entire length of the lashing straps. The efficiency in spreading the tension by the corner protector is described as the "K" factor, according to VDI 2700 and the requirements of the directive (norm) DIN EN 12195-1.