

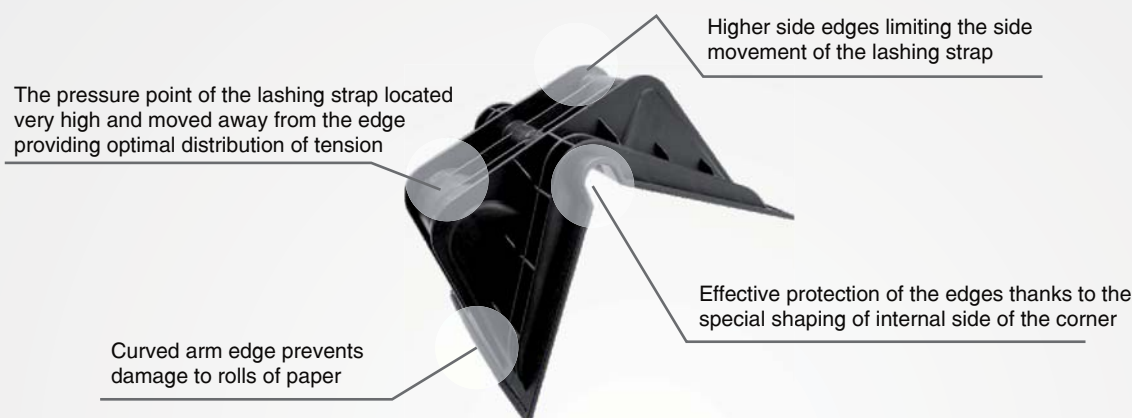
Dimension (mm): 150x160x142
Weight (g): 280 (+/- 3%)
Colour: black
Composition: 100% polypropylene
Packaging: 100 pcs per carboard
Quantity per pallet: 8 carboards = 800 pcs
Loaded pallet weight (kg): 245
Loaded pallet size (cm): 120x80x200



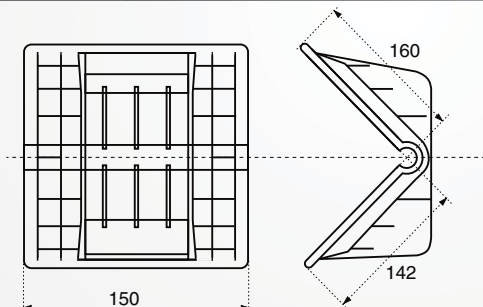
Application

The highly sophisticated product for the protection the edges of goods vulnerable for crushing (especially the paper in reams or rolls, cartoon-gypsum plates), prevent the crashes and different damages which can step out while fixing goods on the vehicle by the lashing straps. Also, to protection the lashing straps subject cutting during transportation various goods with sharp edges, i.e. steel sheets or plates.

Characteristics



Technical drawing - corner protector size 150 x 160 x 142



Additional advantages

Strong and flexible construction
 Resistant on cracks and fractures in the wide range of temperatures: from -20°C to +70°C
 The enlarged surface of shoulders allow to spread the strength of the lashing straps pressure
 PaperMAX protector achieved the highest K-coefficient on the market of corner protectors
 Initial force acting on the lashing strap 50 daN x K factor with value of 1.85 make possible initial force acting on a single strap on level 925 daN.

Environmental Protection

The substance is not biodegradable in the environment, user cannot allow the substance to escape to the environment. Recycling in 100% is possible, product can be reproduced back into the form of granulate and reused in the other production process. The end user is entirely responsible for deciding about the suitability of the product to the specified purposes. The end user is also responsible for the recycling or if necessary the utilization in proper manner.

Quality

Effectiveness of optimal distribution of strap tension has been confirmed by the results of the test programme carried out by the independent TÜV AUSTRIA AUTOMOTIVE GMBH laboratory. According to the VDI 2700 guidelines and requirements of DIN EN 12195-1 norm, PaperMAX protector achieves "K=1.85" k-coefficient value. This is confirmed by the official report regarding the test programme. As a result of the above, PaperMAX protector achieved the highest K-coefficient on the market of corner protectors.