

**Dimensions (mm):** 150x225x185

**Weight (g):** 290 (+/- 3%)

**Color:** : red or black

**Composition:** 100% polypropylene

**Packaging:** 100 pieces per cardboard

**Quantity per pallet:** 8 cardboards = 800 pieces

**Loaded pallet weight (kg):** 255

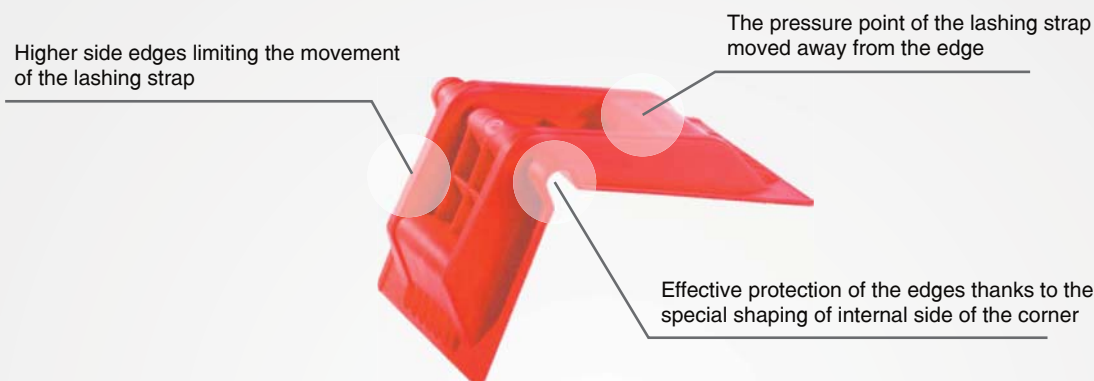
**Loaded pallet size (cm):** 120x80x200



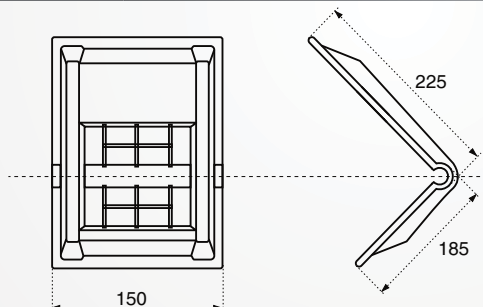
### Application

To the protection the edges of various goods (especially the paper in reams or rolls, cartoon-gypsum plates), to prevent against the crashes and different damages which can step out while fixing goods on the vehicle by the lashing straps. Also, to protection the lashing straps subject cutting during transportation various goods with sharp edges, i.e. steel sheets or plates.

### Characteristics



### Technical drawing - corner protector size 150 x 225 x 185



### Additional advantages

Strong and flexible construction

Resistant on cracks and fractures in the wide range of temperatures: from - 20°C to +70°C

The enlarged surface of shoulders allow to spread the strength of the lashing straps pressure

Manufacturing process is certified and under constant supervision of the TÜV Rheinland



### Environmental Protection

The substance is not biodegradable in the environment, user cannot allow the substance to escape to the environment. Recycling in 100% is possible, product can be reproduced back into the form of granulate and reused in the other production process. The end user is entirely responsible for deciding about the suitability of the product to the specified purposes. The end user is also responsible for the recycling or if necessary the utilization in proper manner.

### Quality

The corner protector **Stabilo Max®** has been tested by **TÜV Rheinland** in reference to guidelines VDI 2700 and the requirements of the directive (norm) DIN EN 12195-1 (April 2004). The value of factor  $k \geq 1,78$  has been confirmed within lab test, executed by **TÜV Rheinland** laboratory in Köln-Germany - report No. 942-7190456-BH dated April, 09th 2013.